

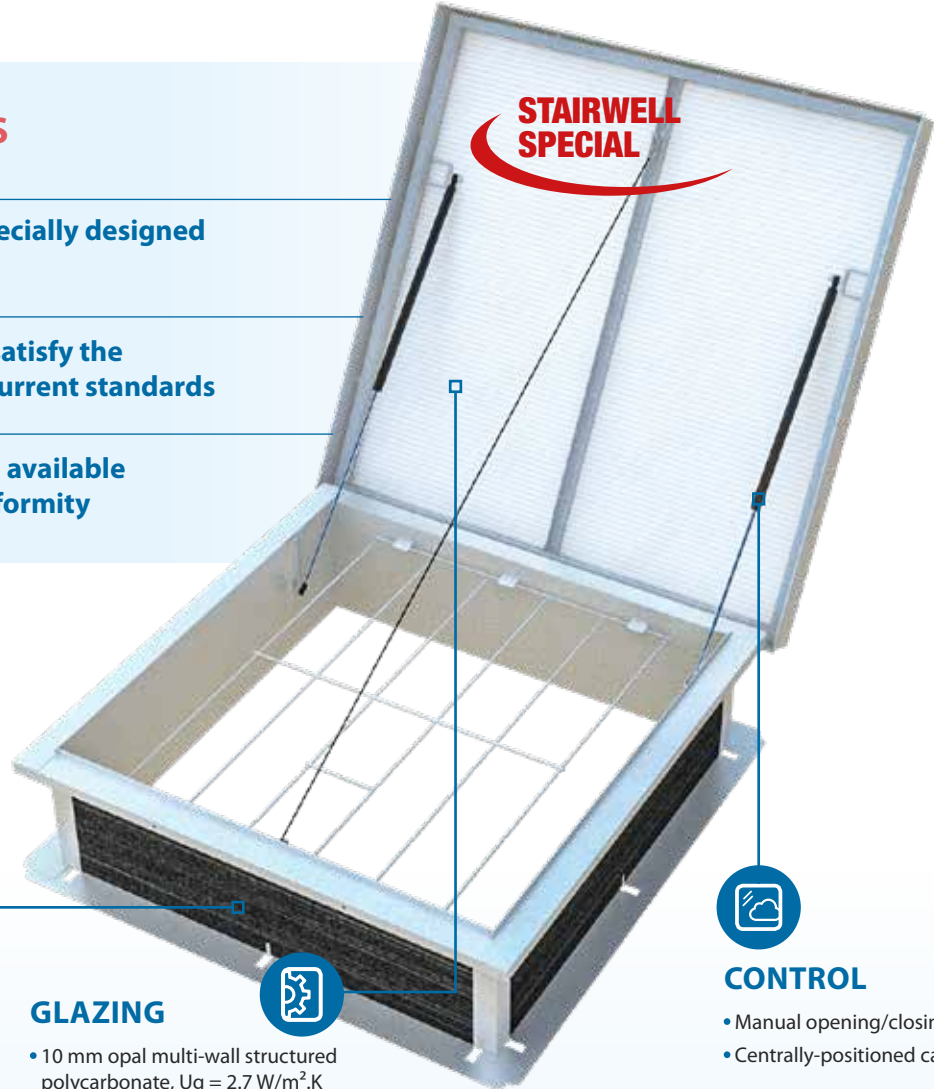


ORIGIN'

PYROTOP®

THE ADVANTAGES

- + Complete solution specially designed for stairwells
- + Optimised design to satisfy the requirements of the current standards
- + Adapter plate version available for renovation or conformity



KERB

- Straight or canted kerb
- 12/10th galvanised steel
- 310 mm high with 15 mm bitumen surfaced insulation

GLAZING

- 10 mm opal multi-wall structured polycarbonate, $U_g = 2.7 \text{ W/m}^2\text{K}$

CONTROL

- Manual opening/closing
- Centrally-positioned cable

OPTIONS

Glazing

- Opal IR S.PC 10
- Grey S.PC 10
- Transparent S.PC 10
- S.PC 10 + Lumira aerogel
- Insulated aluminium cover
- PMMA double dome
- Solid polycarbonate double dome

Kerb

- Kerb height 360 mm, 410 mm and more
- Powder-coating on inside (standard RAL colours)
- Panel colaminated at the top for PVC sealing
- Panel galvanised at the top for PVC sealing
- Bare insulation for PVC sealing

Control

- Position contactor

Other

- 6 mm round grid or 16 x 16 mm square tube, 1200 joules, galvanised or powder-coated in standard RAL colours
- Burglar-resistant grid with anti-sawing protection (16 x 16 + R6 assembly), galvanised or powder-coated in standard RAL colours
- 16 x 16 mm galvanised opening security bars
- Grey powder-coated bar to hook on ladder
- Grey powder-coated grab handle



ADAPTER PLATE P.6

AVAILABLE IN



THERMIK'

CLASSIC | CONFORT | ELITE



• NATURAL SMOKE EVACUATION
• DAYLIGHTING
• ROOF ACCESS

SUBSTRATE:
Watertight roof /
Existing kerb



— GEOMETRICAL DIMENSIONS

Opening dimensions A x B (cm)	Overall heel dimensions C x D (cm)	Height H* (cm)		Lighting surface area (m ²)	E (cm)	Weight (kg)	
		S.PC	DD			S.PC	DD
100 x 100	118 x 118	37	56	1.00	115	62	56

Please contact us for other sizes. * For a kerb 310 mm high.

— MAXIMUM PERMISSIBLE OVERLOADS

Opening (cm)	Opening pressure	
	S.PC 10	Double dome/ 40 mm cover
	SL (kg/m ²)	SL (kg/m ²)
100 x 100	25	25

— GLAZING PERFORMANCES

Other glazing: see "Glazing" technical data sheet

	Types of glazing	Heat transfer coefficient U _g (W/m ² .K)		TL D65 ⁽²⁾	FS or g ⁽²⁾	Reaction to fire	R _w R _A =R _w +C R _{A,Tr} =R _w +C _{tr} (dB) ⁽³⁾
		U _{hor} ⁽¹⁾	U _{vert} ⁽¹⁾				
S.PC	Opal 4-wall S.PC 10	2.7	2.5	57%	60%	B,s1,d0	R _w =17 dB
	S.PC 10 with transparent Lumira™ Aerogel	1.93	ND	71%	66%	B,s1,d0	ND
Cover	40 mm aluminium cover	0.85	ND	0%	ND	ND	63
Dome	Opal PMMA double dome <i>Opal upper dome + transp. lower dome</i>	2.8	2.5	78%	ND	E	ND
	Solid PC double dome, 1200 joules <i>Opal solid PC upper dome + transp. solid PC lower dome</i>	2.8	2.5	66%	ND	B,s2,d0	ND
	Double dome, 1200 joules <i>Opal PMMA upper dome + transp. solid PC lower dome</i>	2.8	2.5	ND	ND	E	ND

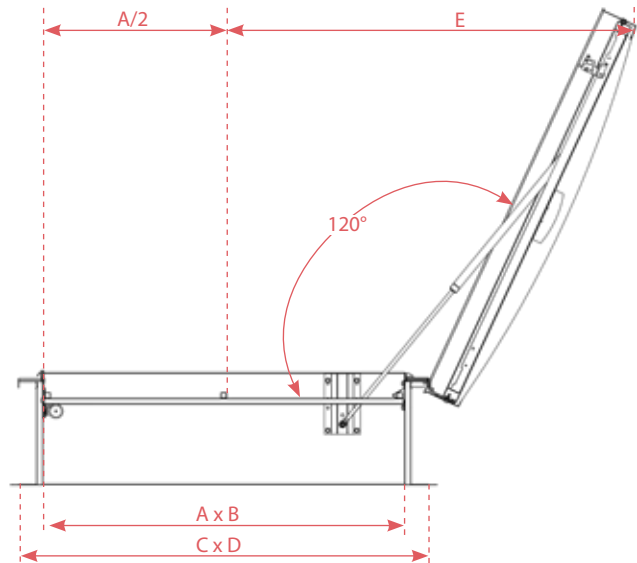
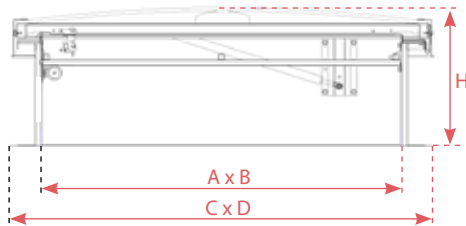
⁽¹⁾ Relative to the horizontal, according to §2.31 of the Th-Bat. rules.

⁽²⁾ Regular light transmission factor TL D65 and total solar transmission factor FS (TST or g) according to EN 410.

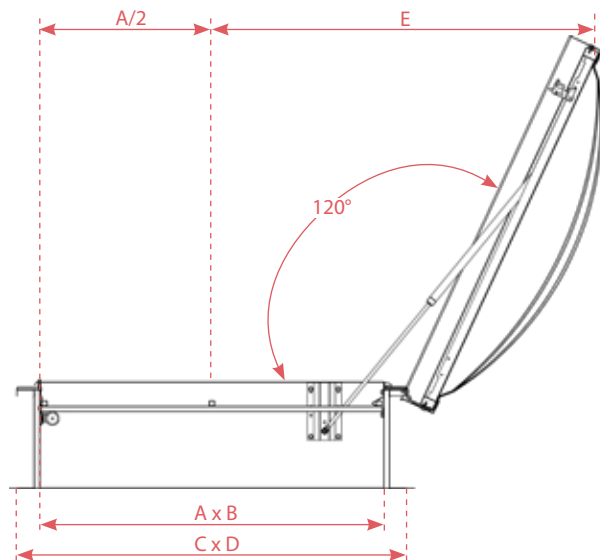
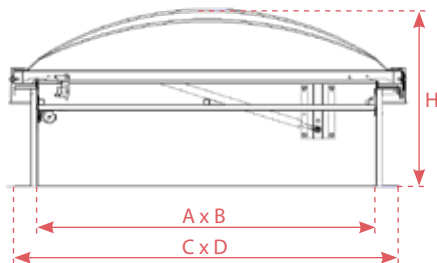
⁽³⁾ Glazing insulation to airborne noise R_w, pink noise R_A (neighbourhood, airport and industrial activities) and road noise R_{A,Tr} measured in the laboratory according to NF EN ISO 140.

TECHNICAL DIAGRAMS

PYROTOP® S.PC



PYROTOP® double dome



CE PERFORMANCES

Evacuation system opening: type B (opening + closing)

Reliability: Re 300

Low ambient temperature: T(0°)

Resistance to heat: B₃₀₀

Wind load: WL1500

Opening under load: SL250

Heat triggering temperature: 93°C (eutectic fuse mounted as standard)

CONFORMITY AND IMPLEMENTATION

CE-certified natural smoke and heat exhaust ventilator system compliant with standard **NF EN 12101-2 (product certification no. 0333 CPR 219053)**.

Fastening and sealing must comply with the requirements set out in French legislation (DTU) series 40 and 43 currently in force.

Maximum insulation height: the minimum height of the waterproofing upstand to comply with according to French legislation (DTU) is 150 mm.

The waterproofing complex (substrate, vapour barrier, insulation and two-layer sealing) cannot be more than 140 mm for an inner kerb height of 310 mm or more than 240 mm for an inner kerb height of 410 mm.

Maximum authorised slope: 25° or 46% (see installation instructions).

Only the security bar option guarantees 1200-joule protection.

Declaration of Performance available at www.skydome.eu

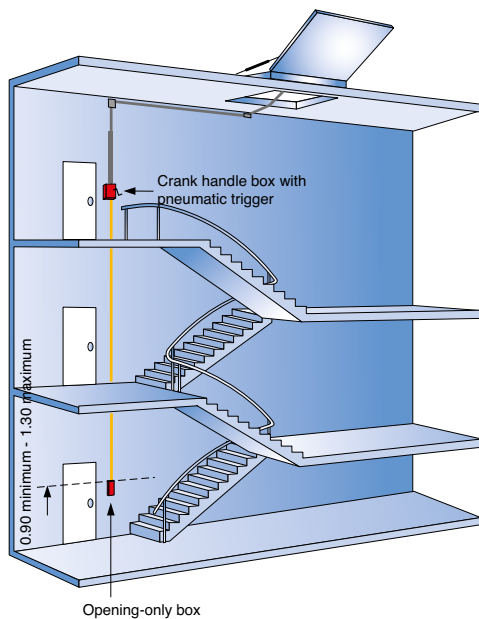


MECHANISM CONTROL

We provide upgradeable installation kits for the PYROTOP® and the PYROTOP® adapter plate mechanism controls. These kits are easy to install with the option to combine a basic kit with several satellites (mechanical, pneumatic, electric). See *Installation kits* technical data sheet for the full list of our kits.

**STAIRWELL
SPECIAL**

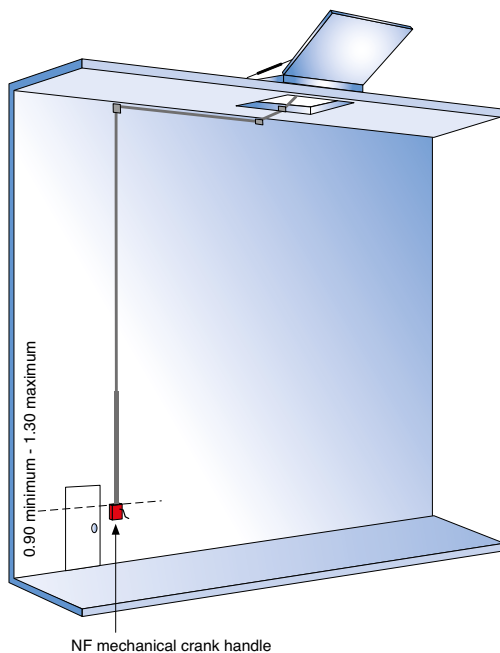
XKT 102D KIT



Composition:

- 1 NF crank handle with pneumatic trigger
- 15 m of cable
- 1 cable clamp
- 2 enclosed pulleys
- 1 offset pulley
- 2.5 lm of protective cable sleeve for cable
- Bag of fasteners
- 1 opening-only box with 30 g CO₂
- 25 m of copper
- 25 fixing clamps for copper pipe

XKT 101D KIT



Composition:

- 1 NF mechanical crank handle
- 15 m of cable
- 1 cable clamp
- 2 enclosed pulleys
- 1 offset pulley
- 2.5 lm of protective cable sleeve for cable
- Bag of fasteners





• NATURAL SMOKE EVACUATION
• DAYLIGHTING
• ROOF ACCESS

SUBSTRATE:
Watertight roof /
Existing kerb



PYROTOP®

A CLOSER LOOK AT ...

THE PYROTOP® ADAPTER PLATE FOR RENOVATION AND CONFORMITY

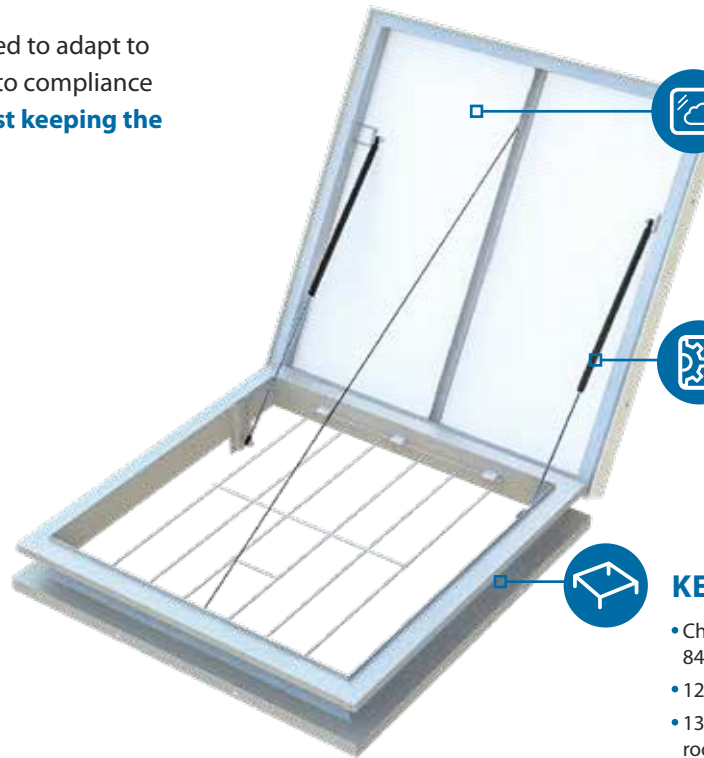
The PYROTOP® ADAPTER PLATE is used to adapt to all types of kerbs to bring systems into compliance or change the original function **whilst keeping the existing kerb.**

OPTIONS

List of standard options p.1

Kerb

- Kerb insulation including a protective galvanised steel panel
- Heel width by request to adapt to the existing substrate
- Kerb height by request



GLAZING

- 10 mm opal multi-wall structured polycarbonate, $U_g = 2.7 \text{ W/m}^2\cdot\text{K}$

CONTROL

- Manual opening/closing
- Centrally-positioned cable

KERB

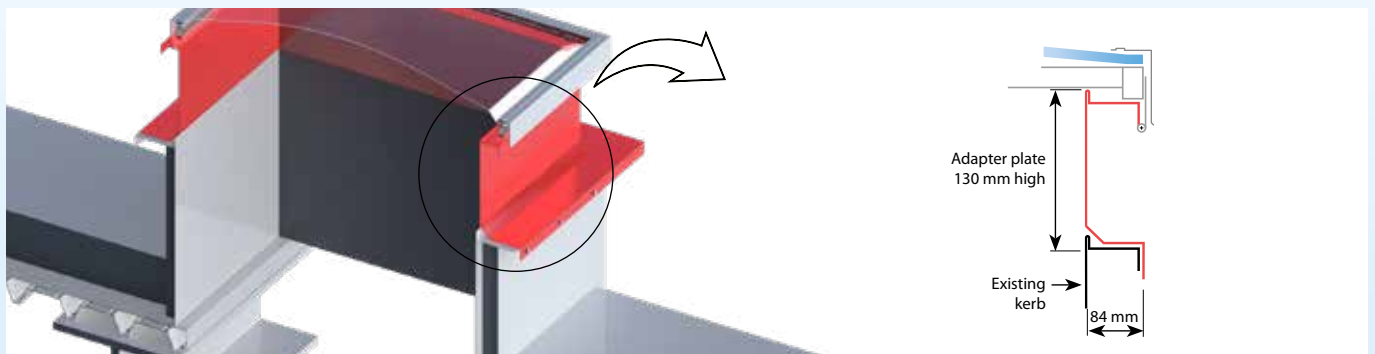
- Chamfered adapter kerb with 84 mm heel and 40 mm apron
- 12/10th galvanised steel
- 130 mm high, allowing roof placement via existing opening

— GEOMETRICAL DIMENSIONS

Opening dimensions A x B (cm)	Overall heel dimensions C x D (cm)	Height H* (cm)		Lighting surface area (m ²)	E (cm)	Weight (kg)	
		S.PC	DD			S.PC	DD
100 x 100	117 x 117	19	38	1.00	115	52	46

Please contact us for other sizes. * For a kerb 130 mm high.

— INSTALLATION DIAGRAM



www.skydome.eu

info@skydome.eu

SKYDÔME®

Entre-Deux-Villes
02270 Sons-et-Ronchères - FRANCE
Tel.: +33 (0)3 23 21 79 90 - Fax: +33 (0)3 23 21 79 76